

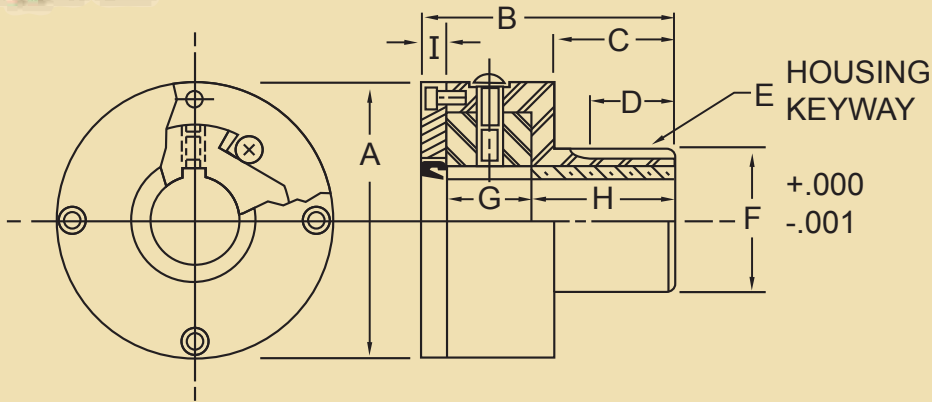
Overrunning Clutch

Available with and without seals. Seals extra.

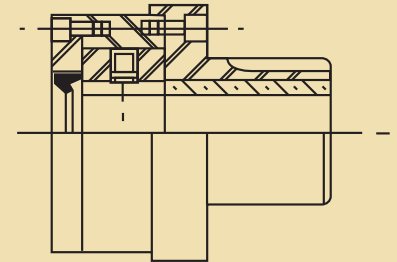
This over-running clutch is easily applied to your new or existing over-running clutch application.



Type OR



Type ORB



Ass'y No.	A	B	C	D	E	F	G	H	I	Standard Bores	Rating	
											Torque Lbs./Ft.	Speed RPM
OR 5	1-5/8	1-15/16	13/16	7/16	3/16 X 3/32	.875	.630	1-1/16	1/4	1/4, 3/8, 1/2	5	1800
OR 14	2	2-1/8	1	9/16	3/16 X 3/32	1.250	.630	1-3/16	5/16	3/8, 1/2, 5/8	14	1800
OR 28	2-5/8	2-23/32	1-5/16	15/16	3/16 X 3/32	1.375	.755	1-3/4	5/16	5/8, 3/4, 7/8	28	1500
OR 100	3-3/8	3-1/16	1-7/16	1	1/4 X 1/8	1.750	1.015	1-3/4	5/16	3/4, 7/8, 1	100	1000
ORB100	3-5/8	3-11/32	1-1/2	13/16	3/8 X 3/16	2-1/4	1.015	2	5/16	3/4, 7/8, 1, 1-1/8, 1-1/4	100	1000
ORB200	4-1/2	4-1/2	2-1/16	1-5/16	3/8 X 3/16	3	1.605	2-1/2	3/8	1-1/2, 1-3/4, 2	200	800
ORB500	6	5-5/32	2-1/2	2	1/2 X 1/4	4-1/2	1.770	3	3/8	2-1/4, 2-1/2, 2-3/4	500	600