

LOWELL DESIGN GUIDE

CRANK HANDLES

HANDLES			5/16"	3/8"	7/16"	1/2"	9/16"	19/32"	5/8"	11/16"	3/4"	13/16"	7/8"	1"	1-1/16"	1-1/8"	1-3/16"	1-1/4"
Square openings																		
112, 114, 115			■															
101				■														
103					■													
Hex openings																		
112, 114, 115			■															
101				■														
103					■													
Bore with keyway openings																		
112, 114, 115			■															
101				■														
103					■													

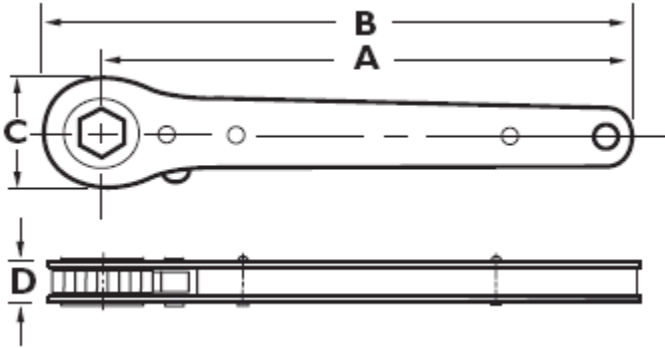
LOWELL DESIGN GUIDE

CRANK HANDLES

HANDLES		10	11	12	13	14	16	17	19	20	22	24	25	27	28	30	32
Square openings																	
112, 114, 115																	
101		■															
103				■													
Hex openings																	
112, 114, 115																	
101			■														
103					■												
Bore with keyway openings																	
112, 114, 115																	
101					■												
103						■											

LOWELL DESIGN GUIDE

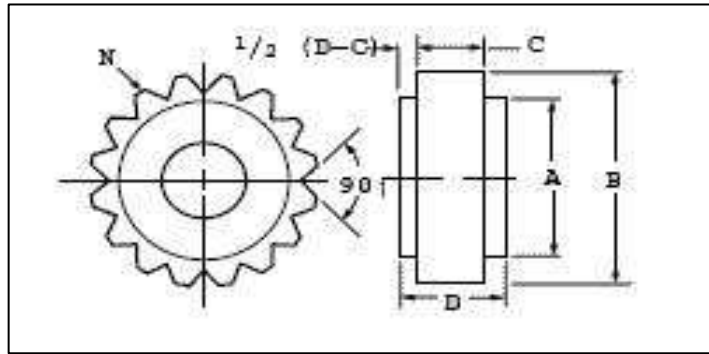
CRANK HANDLES



Lengths	7"	8"	10"	12"
Models	101	112	114	103
				115

LOWELL DESIGN GUIDE

CRANK HANDLES

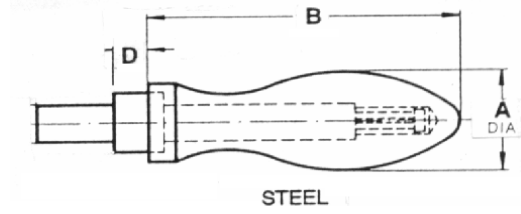
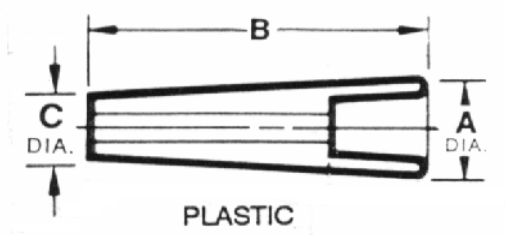


Gear Dimensions

MODEL	A		B		C		D		N TEETH
	IN	MM	IN	MM	IN	MM	IN	MM	
112, 114, 115	1.420	36.1	1.740	44.2	.417	10.6	.887	22.5	20
101	1.058	26.9	1.365	34.7	.245	6.2	.623	15.8	16
103	1.840	46.7	2.329	59.2	.504	12.8	.885	22.5	20

LOWELL DESIGN GUIDE

CRANK HANDLES



Crank Handle Dimensions

MATERIAL	for HANDLES	TYPE	LENTH	A		B		C		D	
				IN	MM	IN	MM	IN	MM	IN	MM
Plastic	101, 112, 114, 115	All	Short	1	25,4	2 ⁹ / ₁₆	65,1	⁵ / ₈	15,9		
	101, 103, 112, 114, 115	All	Long	1 ¹ / ₈	28,6	3 ¹¹ / ₁₆	68,3	³ / ₄	19,0		
Steel	101, 112, 114, 115	Revolving	Short	¹¹ / ₁₆	17,5	2 ⁵ / ₃₂	54,8			⁷ / ₃₂	5,6
	101, 112, 114, 115	Fixed	Short	¹¹ / ₁₆	17,5	2 ³ / ₁₆	55,6				
	101, 112, 114, 115	Revolving	Long	1	25,4	2 ¹⁵ / ₁₆	74,6			⁵ / ₁₆	7,9
	101, 112, 114, 115	Fixed	Long	1	25,4	2 ⁵ / ₃₂	54,8				
	103	Revolving	Long (103)	1 ³ / ₃₂	27,8	3 ¹¹ / ₃₂	84,9			⁵ / ₁₆	7,9
	103	Fixed	Long (103)	1 ³ / ₃₂	27,8	3 ⁹ / ₁₆	90,5				

LOWELL DESIGN GUIDE

CRANK HANDLES

100 SERIES Ratchet Arms with Long Plastic Crank Handle

Model	P/N Handle		Nominal				Gear Openings		P/N Gear						
	Only	Length	Length		Weight		IN	MM	Only	P/N Assembly					
			IN	MM	LB	KG									
101	82901	7	152	¾	0,34	¾ SQ		82936	21-82236-4PLR						
						½ SQ		82937	21-82237-4PLR						
						⅝ SQ		82938	21-82238-4PLR						
							10 SQ	M9210	21-82S10-4PLR						
							13 SQ	M9213	21-82S13-4PLR						
							16 SQ	M9216	21-82S16-4PLR						
							7/16 HEX	82957	21-82357-4PLR						
							½ HEX	82958	21-82358-4PLR						
							9/16 HEX	82959	21-82359-4PLR						
							⅝ HEX	82960	21-82360-4PLR						
							¾ HEX	82961	21-82361-4PLR						
							11 HEX	M9311	21-82H11-4PLR						
							13 HEX	M9313	21-82H13-4PLR						
							14 HEX	M9314	21-82H14-4PLR						
							16 HEX	M9316	21-82H16-4PLR						
							17 HEX	M9317	21-82H17-4PLR						
							19 HEX	M9319	21-82H19-4PLR						
							½ BORE	82978	21-82178-4PLR						
							⅝ BORE	82980	21-82180-4PLR						
							¾ BORE	82982	21-82182-4PLR						
							13 BORE	M9113	21-82B13-4PLR						
							16 BORE	M9116	21-82B16-4PLR						
							19 BORE	M9119	21-82B19-4PLR						
						103	829L1	12	305	2 ¼	1,02	½ SQ		L3208	21-8L208-4PLR
												⅝ SQ		L3210	21-8L210-4PLR
												11/16 SQ		L3211	21-8L211-4PLR
												¾ SQ		L3212	21-8L212-4PLR
												13/16 SQ		L3213	21-8L213-4PLR
												7/8 SQ		L3214	21-8L214-4PLR
												1 SQ		L3216	21-8L216-4PLR
1 1/16 SQ		L3217	21-8L217-4PLR												
1 1/8 SQ		L3218	21-8L218-4PLR												
	12 SQ	M9612	21-8LS12-4PLR												
	13 SQ	M9613	21-8LS13-4PLR												
	14 SQ	M9614	21-8LS14-4PLR												
	16 SQ	M9616	21-8LS16-4PLR												
	17 SQ	M9617	21-8LS17-4PLR												
	19 SQ	M9619	21-8LS19-4PLR												
	22 SQ	M9622	21-8LS22-4PLR												
	25 SQ	M9625	21-8LS25-4PLR												
	27 SQ	M9627	21-8LS27-4PLR												
	28 SQ	M9628	21-8LS28-4PLR												
	¾ HEX	L3312	21-8L312-4PLR												
	7/8 HEX	L3314	21-8L314-4PLR												
	1 HEX	L3316	21-8L316-4PLR												
	1 1/8 HEX	L3318	21-8L318-4PLR												

**HANDLE, GEAR AND
ASSEMBLY PART NUMBERS**

Lowell Corporation
www.lowellcorp.com
customerservice@lowellcorp.com

LOWELL DESIGN GUIDE

CRANK HANDLES

100 SERIES Ratchet Arms with Long Plastic Crank Handle

Model	P/N Handle		Nominal				Gear Openings		P/N Gear							
	Only	Length	Length		Weight		IN	MM	Only	P/N Assembly						
			IN	MM	LB	KG										
103	829LI	12	305	2 ¼	1,02	1 ¼ HEX		L3320	21-8L320-4PLR							
						19 HEX		M9719	21-8LH19-4PLR							
						22 HEX		M9722	21-8LH22-4PLR							
						25 HEX		M9725	21-8LH25-4PLR							
						28 HEX		M9728	21-8LH28-4PLR							
						32 HEX		M9732	21-8LH32-4PLR							
						¾ BORE		L3112	21-8L112-4PLR							
						1 BORE		L3116	21-8L116-4PLR							
						1 ⅛ BORE		L3118	21-8L118-4PLR							
						1 ¼ BORE		L3120	21-8L120-4PLR							
						19 BORE		M9519	21-8LB19-4PLR							
						25 BORE		M9525	21-8LB25-4PLR							
						28 BORE		M9528	21-8LB28-4PLR							
						32 BORE		M9532	21-8LB32-4PLR							

						112	8190I	8	204	1 ½	0,68	½ SQ		92608	21-8I608-4PLR	
												9/16 SQ		92609	21-8I609-4PLR	
												5/8 SQ		92610	21-8I610-4PLR	
												¾ SQ		92612	21-8I612-4PLR	
													13 SQ	M2613	21-8IS13-4PLR	
	14 SQ	M2614	21-8IS14-4PLR													
	16 SQ	M2616	21-8IS16-4PLR													
	19 SQ	M2619	21-8IS19-4PLR													
	½ HEX	92708	21-8I708-4PLR													
	9/16 HEX	92709	21-8I709-4PLR													
	5/8 HEX	92710	21-8I710-4PLR													
	¾ HEX	92712	21-8I712-4PLR													
	7/8 HEX	92714	21-8I714-4PLR													
	1 HEX	92716	21-8I716-4PLR													
	13 HEX	M2713	21-8IH13-4PLR													
	14 HEX	M2714	21-8IH14-4PLR													
	16 HEX	M2716	21-8IH16-4PLR													
	17 HEX	M2717	21-8IH17-4PLR													
	19 HEX	M2719	21-8IH19-4PLR													
	22 HEX	M2722	21-8IH22-4PLR													
	25 HEX	M2725	21-8IH25-4PLR													
	½ BORE	92508	21-8I508-4PLR													
	5/8 BORE	92510	21-8I510-4PLR													
	¾ BORE	92512	21-8I512-4PLR													
	7/8 BORE	92514	21-8I514-4PLR													
	1 BORE	92516	21-8I516-4PLR													
	13 BORE	M2513	21-8IB13-4PLR													
	16 BORE	M2516	21-8IB16-4PLR													
	19 BORE	M2519	21-8IB19-4PLR													
	25 BORE	M2525	21-8IB25-4PLR													

114	8390I	10	254	2	0,91							½ SQ		92608	21-83608-4PLR	
						9/16 SQ		92609	21-83609-4PLR							

**HANDLE, GEAR AND
ASSEMBLY PART NUMBERS**

Lowell Corporation
www.lowellcorp.com
customerservice@lowellcorp.com

LOWELL DESIGN GUIDE

CRANK HANDLES

100 SERIES Ratchet Arms with Long Plastic Crank Handle

Model	P/N Handle		Nominal				Gear Openings		P/N Gear						
	Only	Length	Length		Weight		IN	MM	Only	P/N Assembly					
			IN	MM	LB	KG									
114	83901	10	254	2	0,91	5/8 SQ		92610	21-83610-4PLR						
						3/4 SQ		92612	21-83612-4PLR						
							13 SQ	M2613	21-83S13-4PLR						
							14 SQ	M2614	21-83S14-4PLR						
							16 SQ	M2616	21-83S16-4PLR						
							19 SQ	M2619	21-83S19-4PLR						
							1/2 HEX	92708	21-83708-4PLR						
							9/16 HEX	92709	21-83709-4PLR						
							5/8 HEX	92710	21-83710-4PLR						
							3/4 HEX	92712	21-83712-4PLR						
							7/8 HEX	92714	21-83714-4PLR						
							1 HEX	92716	21-83716-4PLR						
								13 HEX	M2713	21-83H13-4PLR					
								14 HEX	M2714	21-83H14-4PLR					
								16 HEX	M2716	21-83H16-4PLR					
								17 HEX	M2717	21-83H17-4PLR					
								19 HEX	M2719	21-83H19-4PLR					
								22 HEX	M2722	21-83H22-4PLR					
								25 HEX	M2725	21-83H25-4PLR					
								1/2 BORE	92508	21-83508-4PLR					
								5/8 BORE	92510	21-83510-4PLR					
								3/4 BORE	92512	21-83512-4PLR					
								7/8 BORE	92514	21-83514-4PLR					
								1 BORE	92516	21-83516-4PLR					
									13 BORE	M2513	21-83B13-4PLR				
									16 BORE	M2516	21-83B16-4PLR				
									19 BORE	M2519	21-83B19-4PLR				
									25 BORE	M2525	21-83B25-4PLR				
						115	84901	12	305	2	0,91	1/2 SQ		92608	21-84608-4PLR
												9/16 SQ		92609	21-84609-4PLR
5/8 SQ		92610	21-84610-4PLR												
3/4 SQ		92612	21-84612-4PLR												
	13 SQ	M2613	21-84S13-4PLR												
	14 SQ	M2614	21-84S14-4PLR												
	16 SQ	M2616	21-84S16-4PLR												
	19 SQ	M2619	21-84S19-4PLR												
	1/2 HEX	92708	21-84708-4PLR												
	9/16 HEX	92709	21-84709-4PLR												
	5/8 HEX	92710	21-84710-4PLR												
	3/4 HEX	92712	21-84712-4PLR												
	7/8 HEX	92714	21-84714-4PLR												
	1 HEX	92716	21-84716-4PLR												
		13 HEX	M2713	21-84H13-4PLR											
		14 HEX	M2714	21-84H14-4PLR											
		16 HEX	M2716	21-84H16-4PLR											
		17 HEX	M2717	21-84H17-4PLR											

**HANDLE, GEAR AND
ASSEMBLY PART NUMBERS**

Lowell Corporation
www.lowellcorp.com
customerservice@lowellcorp.com

LOWELL DESIGN GUIDE

CRANK HANDLES

100 SERIES Ratchet Arms with Long Plastic Crank Handle

Model	P/N Handle		Nominal				Gear Openings		P/N Gear	
	Only		Length		Weight		IN	MM	Only	P/N Assembly
			IN	MM	LB	KG				
115	84901	12	305	2	0,91		19 HEX	M2719	21-84H19-4PLR	
							22 HEX	M2722	21-84H22-4PLR	
							25 HEX	M2725	21-84H25-4PLR	
							1/2 BORE	92508	21-84508-4PLR	
							5/8 BORE	92510	21-84510-4PLR	
							3/4 BORE	92512	21-84512-4PLR	
							7/8 BORE	92514	21-84514-4PLR	
							1 BORE	92516	21-84516-4PLR	
							13 BORE	M2513	21-84B13-4PLR	
							16 BORE	M2516	21-84B16-4PLR	
							19 BORE	M2519	21-84B19-4PLR	
							25 BORE	M2525	21-84B25-4PLR	

LOWELL DESIGN GUIDE

CRANK HANDLES

100 SERIES Ratchet Arms with Fixed Long Steel Crank Handle

Model	P/N Handle		Nominal				Gear Openings		P/N Gear						
	Only	Length	Length		Weight		IN	MM	Only	P/N Assembly					
			IN	MM	LB	KG									
101	82901	7	152	¾	0,34	¾ SQ		82936	21-82236-4SLF						
						½ SQ		82937	21-82237-4SLF						
						⅝ SQ		82938	21-82238-4SLF						
							10 SQ	M9210	21-82S10-4SLF						
							13 SQ	M9213	21-82S13-4SLF						
							16 SQ	M9216	21-82S16-4SLF						
							7/16 HEX	82957	21-82357-4SLF						
							½ HEX	82958	21-82358-4SLF						
							9/16 HEX	82959	21-82359-4SLF						
							⅝ HEX	82960	21-82360-4SLF						
							¾ HEX	82961	21-82361-4SLF						
							11 HEX	M9311	21-82H11-4SLF						
							13 HEX	M9313	21-82H13-4SLF						
							14 HEX	M9314	21-82H14-4SLF						
							16 HEX	M9316	21-82H16-4SLF						
							17 HEX	M9317	21-82H17-4SLF						
							19 HEX	M9319	21-82H19-4SLF						
							½ BORE	82978	21-82178-4SLF						
							⅝ BORE	82980	21-82180-4SLF						
							¾ BORE	82982	21-82182-4SLF						
							13 BORE	M9113	21-82B13-4SLF						
							16 BORE	M9116	21-82B16-4SLF						
							19 BORE	M9119	21-82B19-4SLF						
						103	829L1	12	305	2 ¼	1,02	½ SQ		L3208	21-8L208-103F
												⅝ SQ		L3210	21-8L210-103F
												11/16 SQ		L3211	21-8L211-103F
												¾ SQ		L3212	21-8L212-103F
												13/16 SQ		L3213	21-8L213-103F
7/8 SQ		L3214	21-8L214-103F												
1 SQ		L3216	21-8L216-103F												
1 1/16 SQ		L3217	21-8L217-103F												
1 1/8 SQ		L3218	21-8L218-103F												
	12 SQ	M9612	21-8LS12-103F												
	13 SQ	M9613	21-8LS13-103F												
	14 SQ	M9614	21-8LS14-103F												
	16 SQ	M9616	21-8LS16-103F												
	17 SQ	M9617	21-8LS17-103F												
	19 SQ	M9619	21-8LS19-103F												
	22 SQ	M9622	21-8LS22-103F												
	25 SQ	M9625	21-8LS25-103F												
	27 SQ	M9627	21-8LS27-103F												
	28 SQ	M9628	21-8LS28-103F												
	¾ HEX	L3312	21-8L312-103F												
	7/8 HEX	L3314	21-8L314-103F												
	1 HEX	L3316	21-8L316-103F												
	1 1/8 HEX	L3318	21-8L318-103F												

**HANDLE, GEAR AND
ASSEMBLY PART NUMBERS**

Lowell Corporation
www.lowellcorp.com
customerservice@lowellcorp.com

LOWELL DESIGN GUIDE

CRANK HANDLES

100 SERIES Ratchet Arms with Fixed Long Steel Crank Handle

Model	P/N Handle		Nominal				Gear Openings		P/N Gear							
	Only	Length	IN	MM	LB	KG	Only		P/N Assembly							
							IN	MM								
103	829L1	12	305	2 ¼	1,02	1 ¼ HEX		L3320	21-8L320-103F							
							19 HEX	M9719	21-8LH19-103F							
							22 HEX	M9722	21-8LH22-103F							
							25 HEX	M9725	21-8LH25-103F							
							28 HEX	M9728	21-8LH28-103F							
							32 HEX	M9732	21-8LH32-103F							
							¾ BORE	L3112	21-8L112-103F							
							1 BORE	L3116	21-8L116-103F							
							1 ⅛ BORE	L3118	21-8L118-103F							
							1 ¼ BORE	L3120	21-8L120-103F							
							19 BORE	M9519	21-8LB19-103F							
							25 BORE	M9525	21-8LB25-103F							
							28 BORE	M9528	21-8LB28-103F							
							32 BORE	M9532	21-8LB32-103F							
						112	81901	8	204	1 ½	0,68	½ SQ		92608	21-81608-4SLF	
													9/16 SQ	92609	21-81609-4SLF	
	5/8 SQ	92610	21-81610-4SLF													
	¾ SQ	92612	21-81612-4SLF													
	13 SQ	M2613	21-81S13-4SLF													
	14 SQ	M2614	21-81S14-4SLF													
	16 SQ	M2616	21-81S16-4SLF													
	19 SQ	M2619	21-81S19-4SLF													
	½ HEX	92708	21-81708-4SLF													
	9/16 HEX	92709	21-81709-4SLF													
	5/8 HEX	92710	21-81710-4SLF													
	¾ HEX	92712	21-81712-4SLF													
	7/8 HEX	92714	21-81714-4SLF													
	1 HEX	92716	21-81716-4SLF													
	13 HEX	M2713	21-81H13-4SLF													
	14 HEX	M2714	21-81H14-4SLF													
	16 HEX	M2716	21-81H16-4SLF													
	17 HEX	M2717	21-81H17-4SLF													
	19 HEX	M2719	21-81H19-4SLF													
	22 HEX	M2722	21-81H22-4SLF													
	25 HEX	M2725	21-81H25-4SLF													
	½ BORE	92508	21-81508-4SLF													
	5/8 BORE	92510	21-81510-4SLF													
	¾ BORE	92512	21-81512-4SLF													
	7/8 BORE	92514	21-81514-4SLF													
	1 BORE	92516	21-81516-4SLF													
	13 BORE	M2513	21-81B13-4SLF													
	16 BORE	M2516	21-81B16-4SLF													
	19 BORE	M2519	21-81B19-4SLF													
	25 BORE	M2525	21-81B25-4SLF													
114	83901	10	254	2	0,91							½ SQ		92608	21-83608-4SLF	
													9/16 SQ	92609	21-83609-4SLF	

**HANDLE, GEAR AND
ASSEMBLY PART NUMBERS**

Lowell Corporation
www.lowellcorp.com
customerservice@lowellcorp.com

LOWELL DESIGN GUIDE

CRANK HANDLES

100 SERIES Ratchet Arms with Fixed Long Steel Crank Handle

Model	P/N Handle		Nominal				Gear Openings		P/N Gear						
	Only		Length		Weight		IN	MM	Only	P/N Assembly					
			IN	MM	LB	KG									
114	83901	10	254	2	0,91	5/8 SQ		92610	21-83610-4SLF						
						3/4 SQ		92612	21-83612-4SLF						
							13 SQ	M2613	21-83S13-4SLF						
							14 SQ	M2614	21-83S14-4SLF						
							16 SQ	M2616	21-83S16-4SLF						
							19 SQ	M2619	21-83S19-4SLF						
							1/2 HEX	92708	21-83708-4SLF						
							9/16 HEX	92709	21-83709-4SLF						
							5/8 HEX	92710	21-83710-4SLF						
							3/4 HEX	92712	21-83712-4SLF						
							7/8 HEX	92714	21-83714-4SLF						
							1 HEX	92716	21-83716-4SLF						
								13 HEX	M2713	21-83H13-4SLF					
								14 HEX	M2714	21-83H14-4SLF					
								16 HEX	M2716	21-83H16-4SLF					
								17 HEX	M2717	21-83H17-4SLF					
								19 HEX	M2719	21-83H19-4SLF					
								22 HEX	M2722	21-83H22-4SLF					
								25 HEX	M2725	21-83H25-4SLF					
								1/2 BORE	92508	21-83508-4SLF					
								5/8 BORE	92510	21-83510-4SLF					
								3/4 BORE	92512	21-83512-4SLF					
								7/8 BORE	92514	21-83514-4SLF					
								1 BORE	92516	21-83516-4SLF					
									13 BORE	M2513	21-83B13-4SLF				
									16 BORE	M2516	21-83B16-4SLF				
									19 BORE	M2519	21-83B19-4SLF				
									25 BORE	M2525	21-83B25-4SLF				
						115	84901	12	305	2	0,91	1/2 SQ		92608	21-84608-4SLF
												9/16 SQ		92609	21-84609-4SLF
												5/8 SQ		92610	21-84610-4SLF
												3/4 SQ		92612	21-84612-4SLF
	13 SQ	M2613	21-84S13-4SLF												
	14 SQ	M2614	21-84S14-4SLF												
	16 SQ	M2616	21-84S16-4SLF												
	19 SQ	M2619	21-84S19-4SLF												
	1/2 HEX	92708	21-84708-4SLF												
	9/16 HEX	92709	21-84709-4SLF												
	5/8 HEX	92710	21-84710-4SLF												
	3/4 HEX	92712	21-84712-4SLF												
	7/8 HEX	92714	21-84714-4SLF												
	1 HEX	92716	21-84716-4SLF												
		13 HEX	M2713	21-84H13-4SLF											
		14 HEX	M2714	21-84H14-4SLF											
		16 HEX	M2716	21-84H16-4SLF											
		17 HEX	M2717	21-84H17-4SLF											

**HANDLE, GEAR AND
ASSEMBLY PART NUMBERS**

Lowell Corporation
www.lowellcorp.com
customerservice@lowellcorp.com

LOWELL DESIGN GUIDE

CRANK HANDLES

100 SERIES Ratchet Arms with Fixed Long Steel Crank Handle

Model	P/N Handle		Nominal				Gear Openings		P/N Gear	
	Only		Length		Weight		IN	MM	Only	P/N Assembly
			IN	MM	LB	KG				
115	84901		12	305	2	0,91		19 HEX	M2719	21-84H19-4SLF
								22 HEX	M2722	21-84H22-4SLF
								25 HEX	M2725	21-84H25-4SLF
								1/2 BORE	92508	21-84508-4SLF
								5/8 BORE	92510	21-84510-4SLF
								3/4 BORE	92512	21-84512-4SLF
								7/8 BORE	92514	21-84514-4SLF
								1 BORE	92516	21-84516-4SLF
								13 BORE	M2513	21-84B13-4SLF
								16 BORE	M2516	21-84B16-4SLF
								19 BORE	M2519	21-84B19-4SLF
								25 BORE	M2525	21-84B25-4SLF

LOWELL DESIGN GUIDE

CRANK HANDLES

100 SERIES Ratchet Arms with Revolving Long Steel Crank Handle

Model	P/N Handle		Nominal				Gear Openings		P/N Gear						
	Only	Length	Length		Weight		IN	MM	Only	P/N Assembly					
			IN	MM	LB	KG									
101	82901	7	152	¾	0,34	¾ SQ		82936	21-82236-4SLR						
						½ SQ		82937	21-82237-4SLR						
						⅝ SQ		82938	21-82238-4SLR						
							10 SQ		M9210	21-82S10-4SLR					
							13 SQ		M9213	21-82S13-4SLR					
							16 SQ		M9216	21-82S16-4SLR					
							7/16 HEX		82957	21-82357-4SLR					
							½ HEX		82958	21-82358-4SLR					
							9/16 HEX		82959	21-82359-4SLR					
							⅝ HEX		82960	21-82360-4SLR					
							¾ HEX		82961	21-82361-4SLR					
									11 HEX	M9311	21-82H11-4SLR				
									13 HEX	M9313	21-82H13-4SLR				
									14 HEX	M9314	21-82H14-4SLR				
									16 HEX	M9316	21-82H16-4SLR				
									17 HEX	M9317	21-82H17-4SLR				
									19 HEX	M9319	21-82H19-4SLR				
									½ BORE	82978	21-82178-4SLR				
									⅝ BORE	82980	21-82180-4SLR				
									¾ BORE	82982	21-82182-4SLR				
									13 BORE	M9113	21-82B13-4SLR				
									16 BORE	M9116	21-82B16-4SLR				
									19 BORE	M9119	21-82B19-4SLR				
						103	829L1	12	305	2 ¼	1,02	½ SQ		L3208	21-8L208-I03R
												⅝ SQ		L3210	21-8L210-I03R
												11/16 SQ		L3211	21-8L211-I03R
												¾ SQ		L3212	21-8L212-I03R
												13/16 SQ		L3213	21-8L213-I03R
												7/8 SQ		L3214	21-8L214-I03R
												1 SQ		L3216	21-8L216-I03R
1 1/16 SQ		L3217	21-8L217-I03R												
1 1/8 SQ		L3218	21-8L218-I03R												
	12 SQ		M9612	21-8LS12-I03R											
	13 SQ		M9613	21-8LS13-I03R											
	14 SQ		M9614	21-8LS14-I03R											
	16 SQ		M9616	21-8LS16-I03R											
	17 SQ		M9617	21-8LS17-I03R											
	19 SQ		M9619	21-8LS19-I03R											
	22 SQ		M9622	21-8LS22-I03R											
	25 SQ		M9625	21-8LS25-I03R											
	27 SQ		M9627	21-8LS27-I03R											
	28 SQ		M9628	21-8LS28-I03R											
			¾ HEX	L3312	21-8L312-I03R										
			7/8 HEX	L3314	21-8L314-I03R										
			1 HEX	L3316	21-8L316-I03R										
			1 1/8 HEX	L3318	21-8L318-I03R										

**HANDLE, GEAR AND
ASSEMBLY PART NUMBERS**

Lowell Corporation
www.lowellcorp.com
customerservice@lowellcorp.com

LOWELL DESIGN GUIDE

CRANK HANDLES

100 SERIES Ratchet Arms with Revolving Long Steel Crank Handle

Model	P/N Handle		Nominal				Gear Openings		P/N Gear									
	Only	Length	Length		Weight		IN	MM	Only	P/N Assembly								
			IN	MM	LB	KG												
103	829LI	12	305	2 ¼	1,02	1 ¼	HEX		L3320	21-8L320-103R								
									19 HEX	M9719	21-8LH19-103R							
									22 HEX	M9722	21-8LH22-103R							
									25 HEX	M9725	21-8LH25-103R							
									28 HEX	M9728	21-8LH28-103R							
									32 HEX	M9732	21-8LH32-103R							
									¾ BORE	L3112	21-8L112-103R							
									1 BORE	L3116	21-8L116-103R							
									1 ⅛ BORE	L3118	21-8L118-103R							
									1 ¼ BORE	L3120	21-8L120-103R							
									19 BORE	M9519	21-8LB19-103R							
									25 BORE	M9525	21-8LB25-103R							
									28 BORE	M9528	21-8LB28-103R							
									32 BORE	M9532	21-8LB32-103R							
							112	8190I	8	204	1 ½	0,68	½	SQ		92608	21-8I608-4SLR	
																9/16 SQ	92609	21-8I609-4SLR
																5/8 SQ	92610	21-8I610-4SLR
		¾ SQ	92612	21-8I612-4SLR														
		13	SQ	M2613	21-8IS13-4SLR													
		14	SQ	M2614	21-8IS14-4SLR													
		16	SQ	M2616	21-8IS16-4SLR													
		19	SQ	M2619	21-8IS19-4SLR													
		½	HEX	92708	21-8I708-4SLR													
		9/16	HEX	92709	21-8I709-4SLR													
		5/8	HEX	92710	21-8I710-4SLR													
		¾	HEX	92712	21-8I712-4SLR													
		7/8	HEX	92714	21-8I714-4SLR													
		1	HEX	92716	21-8I716-4SLR													
		13	HEX	M2713	21-8IH13-4SLR													
		14	HEX	M2714	21-8IH14-4SLR													
		16	HEX	M2716	21-8IH16-4SLR													
		17	HEX	M2717	21-8IH17-4SLR													
		19	HEX	M2719	21-8IH19-4SLR													
		22	HEX	M2722	21-8IH22-4SLR													
		25	HEX	M2725	21-8IH25-4SLR													
		½	BORE	92508	21-8I508-4SLR													
		5/8	BORE	92510	21-8I510-4SLR													
		¾	BORE	92512	21-8I512-4SLR													
		7/8	BORE	92514	21-8I514-4SLR													
		1	BORE	92516	21-8I516-4SLR													
		13	BORE	M2513	21-8IB13-4SLR													
		16	BORE	M2516	21-8IB16-4SLR													
		19	BORE	M2519	21-8IB19-4SLR													
		25	BORE	M2525	21-8IB25-4SLR													
114	8390I	10	254	2	0,91	½								SQ		92608	21-83608-4SLR	
																9/16 SQ	92609	21-83609-4SLR

**HANDLE, GEAR AND
ASSEMBLY PART NUMBERS**

Lowell Corporation
www.lowellcorp.com
customerservice@lowellcorp.com

LOWELL DESIGN GUIDE

CRANK HANDLES

100 SERIES Ratchet Arms with Revolving Long Steel Crank Handle

Model	P/N Handle		Nominal				Gear Openings		P/N Gear						
	Only		Length		Weight		IN	MM	Only	P/N Assembly					
			IN	MM	LB	KG									
114	83901	10	254	2	0,91	5/8 SQ		92610	21-83610-4SLR						
						3/4 SQ		92612	21-83612-4SLR						
							13 SQ	M2613	21-83S13-4SLR						
							14 SQ	M2614	21-83S14-4SLR						
							16 SQ	M2616	21-83S16-4SLR						
							19 SQ	M2619	21-83S19-4SLR						
							1/2 HEX	92708	21-83708-4SLR						
							9/16 HEX	92709	21-83709-4SLR						
							5/8 HEX	92710	21-83710-4SLR						
							3/4 HEX	92712	21-83712-4SLR						
							7/8 HEX	92714	21-83714-4SLR						
							1 HEX	92716	21-83716-4SLR						
								13 HEX	M2713	21-83H13-4SLR					
								14 HEX	M2714	21-83H14-4SLR					
								16 HEX	M2716	21-83H16-4SLR					
								17 HEX	M2717	21-83H17-4SLR					
								19 HEX	M2719	21-83H19-4SLR					
								22 HEX	M2722	21-83H22-4SLR					
								25 HEX	M2725	21-83H25-4SLR					
								1/2 BORE	92508	21-83508-4SLR					
								5/8 BORE	92510	21-83510-4SLR					
								3/4 BORE	92512	21-83512-4SLR					
								7/8 BORE	92514	21-83514-4SLR					
								1 BORE	92516	21-83516-4SLR					
									13 BORE	M2513	21-83B13-4SLR				
									16 BORE	M2516	21-83B16-4SLR				
									19 BORE	M2519	21-83B19-4SLR				
									25 BORE	M2525	21-83B25-4SLR				
						115	84901	12	305	2	0,91	1/2 SQ		92608	21-84608-4SLR
												9/16 SQ		92609	21-84609-4SLR
														92610	21-84610-4SLR
														92612	21-84612-4SLR
		13 SQ	M2613	21-84S13-4SLR											
		14 SQ	M2614	21-84S14-4SLR											
		16 SQ	M2616	21-84S16-4SLR											
		19 SQ	M2619	21-84S19-4SLR											
		1/2 HEX	92708	21-84708-4SLR											
		9/16 HEX	92709	21-84709-4SLR											
		5/8 HEX	92710	21-84710-4SLR											
		3/4 HEX	92712	21-84712-4SLR											
		7/8 HEX	92714	21-84714-4SLR											
		1 HEX	92716	21-84716-4SLR											
			13 HEX	M2713	21-84H13-4SLR										
			14 HEX	M2714	21-84H14-4SLR										
			16 HEX	M2716	21-84H16-4SLR										
			17 HEX	M2717	21-84H17-4SLR										

**HANDLE, GEAR AND
ASSEMBLY PART NUMBERS**

Lowell Corporation
www.lowellcorp.com
customerservice@lowellcorp.com

LOWELL DESIGN GUIDE

CRANK HANDLES

100 SERIES Ratchet Arms with Revolving Long Steel Crank Handle

Model	P/N Handle		Nominal				Gear Openings		P/N Gear	
	Only		Length		Weight		IN	MM	Only	P/N Assembly
			IN	MM	LB	KG				
115	84901	12	305	2	0,91			19 HEX	M2719	21-84H19-4SLR
								22 HEX	M2722	21-84H22-4SLR
								25 HEX	M2725	21-84H25-4SLR
								1/2 BORE	92508	21-84508-4SLR
								5/8 BORE	92510	21-84510-4SLR
								3/4 BORE	92512	21-84512-4SLR
								7/8 BORE	92514	21-84514-4SLR
								1 BORE	92516	21-84516-4SLR
								13 BORE	M2513	21-84B13-4SLR
								16 BORE	M2516	21-84B16-4SLR
								19 BORE	M2519	21-84B19-4SLR
								25 BORE	M2525	21-84B25-4SLR